

Stripes Compositions

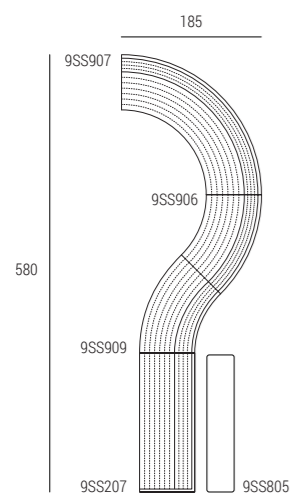
Design Jérôme Gauthier 2009



marelli

STRIPES composition "K" made of 1 sofa with 1 arm cm 185x73x133h, 1 curved element without arms 9SS909, 1 curved element without arms 9SS906 and 1 curved element without arms 9SS907 in Kvadrat fabric cat. H art. Steelcut Trio II col. 853, with OPM6 RAL 9017 black painted metal bases and low shelves 9SS809 in birch plywood natural oak veneered. Belux lamp 9SS805 and Schulte Evoline socket 9SS802.

PIVOT swivel armchair 9PIV101 55.5x54x80h with natural oak structure and seat and back in the same fabric and in Gabriel fabric cat. B art. Atlantic col. 61163 and **PIVOT** tables 7PIV101 ø cm 60x43/61 and 7PIV102 ø cm 78x43/74h in natural oak.





STRIPES box with led lighting 9SS916 cm
228x185x223h in Camira fabric cat. B art.
Xtreme Plus col. Tonga YS160 with OPM7
RAL 9016 white painted metal base.
Table in white HPL and Bachmann power
frame electric module in the table 9SS803.
On demand, the box can be provided with
cable channel for monitor.

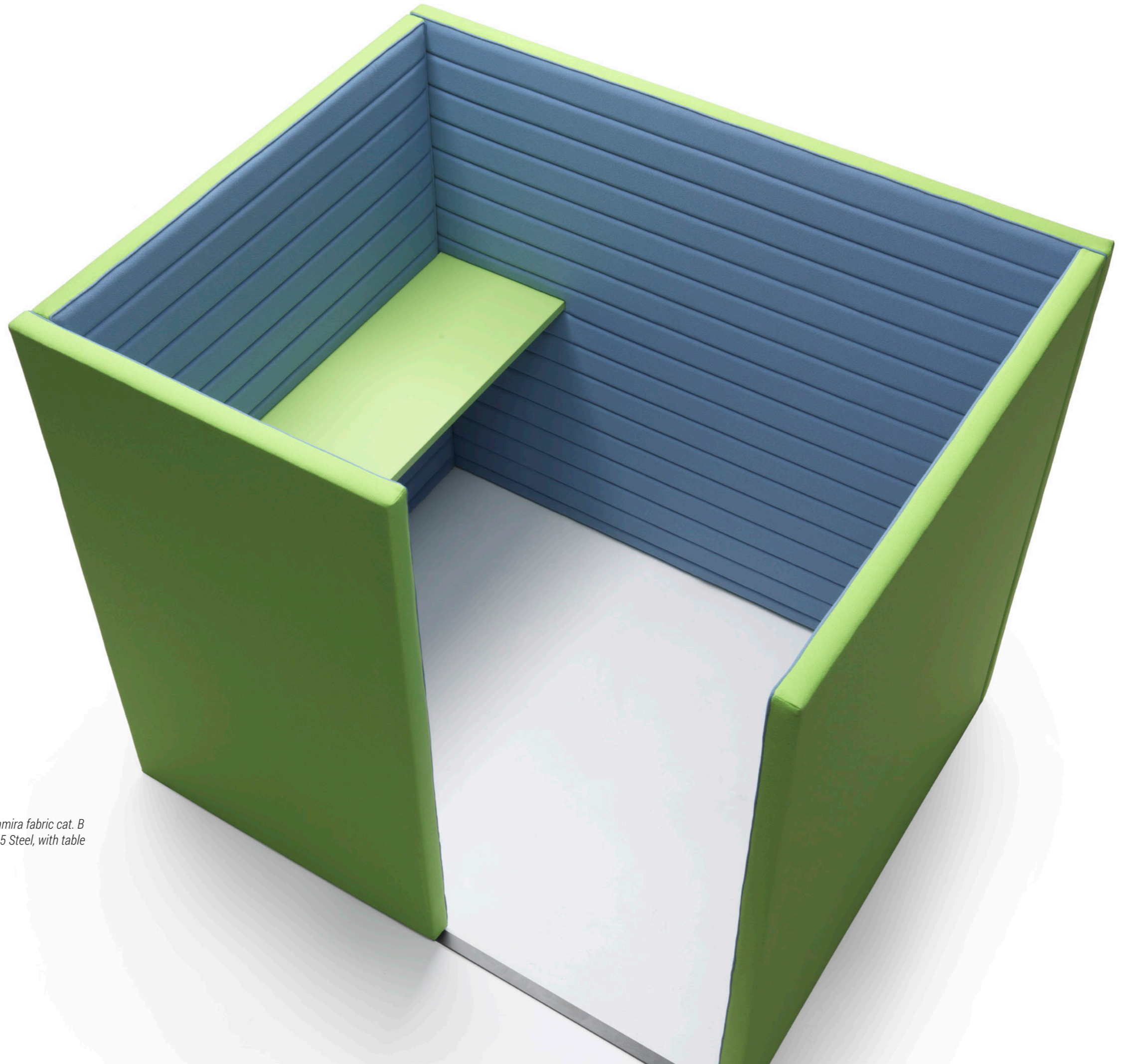
Activation of led lighting through motion
detector (standard version) or, on demand, by
means of a switch.

The standard equipment consists of 6 5W,
4000K, 420 Lumen LED spotlights, with
neutral white light and an angle of 45°.

<
Detail of **STRIPES** box with led lighting
9SS916 cm 228x185x223h.

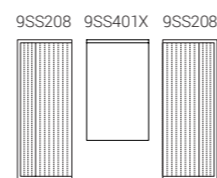


STRIPES box 9SS917 cm 228x185x133h in Camira fabric cat. B art. Xtreme Plus col. Tonga YS160 with OPM7 RAL 9016 white painted metal. Table in white HPL and Bachmann power frame electric module in the table 9SS803.



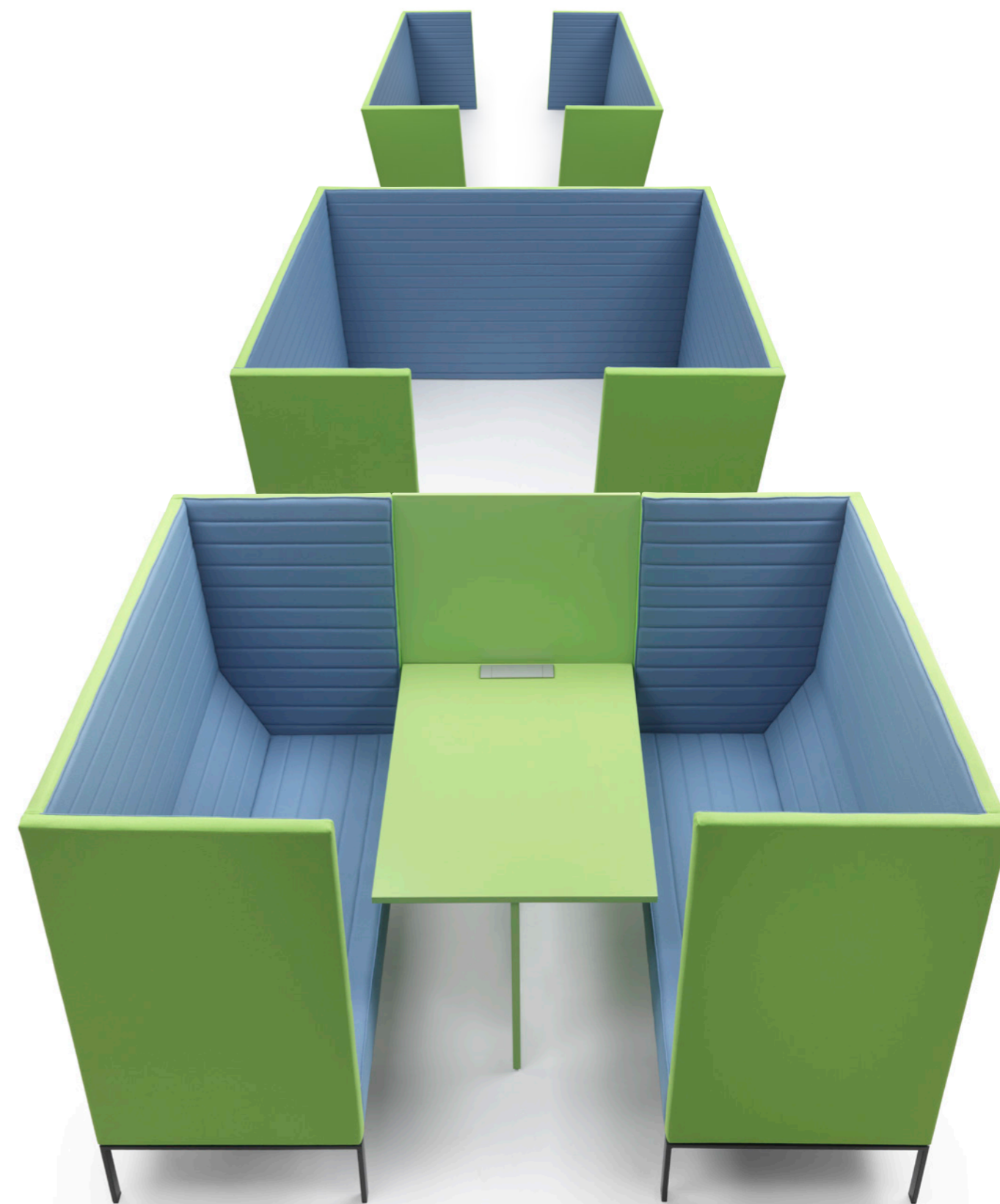
STRIPES composition 9SS912 cm 125x156x133h with external side in Camira fabric cat. B art. Xtreme Plus col. YS156 Madura and internal quilted side in col. YS095 Steel, with table top in Fundermax HPL in colour apple green.

STRIPES element 9SS913 cm 100x73x215h with external side in Camira fabric cat. B art. Xtreme Plus col. YS156 Madura and top and internal quilted side in col. YS095 Steel, with table top in Fundermax HPL in colour apple green and Bachmann Power Frame electric module 9SS803.

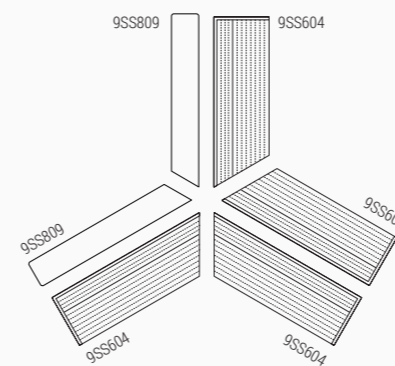


>
STRIPES composition "L" made of 2 sofas 9SS208 cm 185x73x133h with external side in Camira fabric cat. B art. Xtreme Plus col. YS156 Madura and internal quilted side in col. YS095 Steel, with table 9SS401X cm 82x133x133h top in Fundermax HPL in colour apple green and Bachmann Power Frame electric module 9SS803. OPM6 RAL 9017 black painted metal bases.

STRIPES element 9SS915 cm 228x185x133h and 2 elements 9SS914 cm 185x73x133h in the same fabrics.



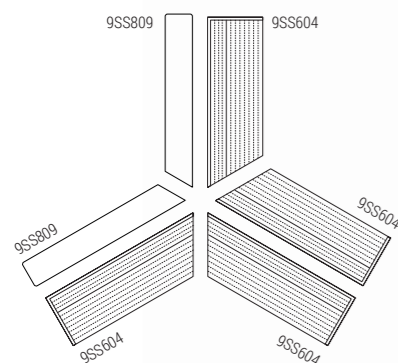
STRIPES Y-shaped **composition "A"** made of 2 elements with left armrest and 2 elements with right armrest 9SS614 cm 225/185x73x101h with an angle of 60° in Gabriel fabric cat. B art. Atlantic col. 64116, 2 low shelves 9SS809 in HPL in colour 1661 and small cushions 9RL112 cm 63x33 in fabric cat. B art. Atlantic col. 62048, with OPM6 RAL 9017 black painted metal bases. Belux lamps 9SS805, Schulte Evoline socket 9SS802, mobile shelf 9SS806 and mobile socket 9SS801. **PIVOT** swivel armchair 9PIV101 cm 55.5x54x80h with natural oak structure and seat and back in fabric cat. B art. Atlantic in the colours 64116 red and 62048 green; **PIVOT** tables 7PIV101 ø cm 60x43/61h in natural oak.



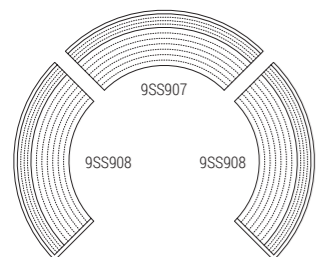
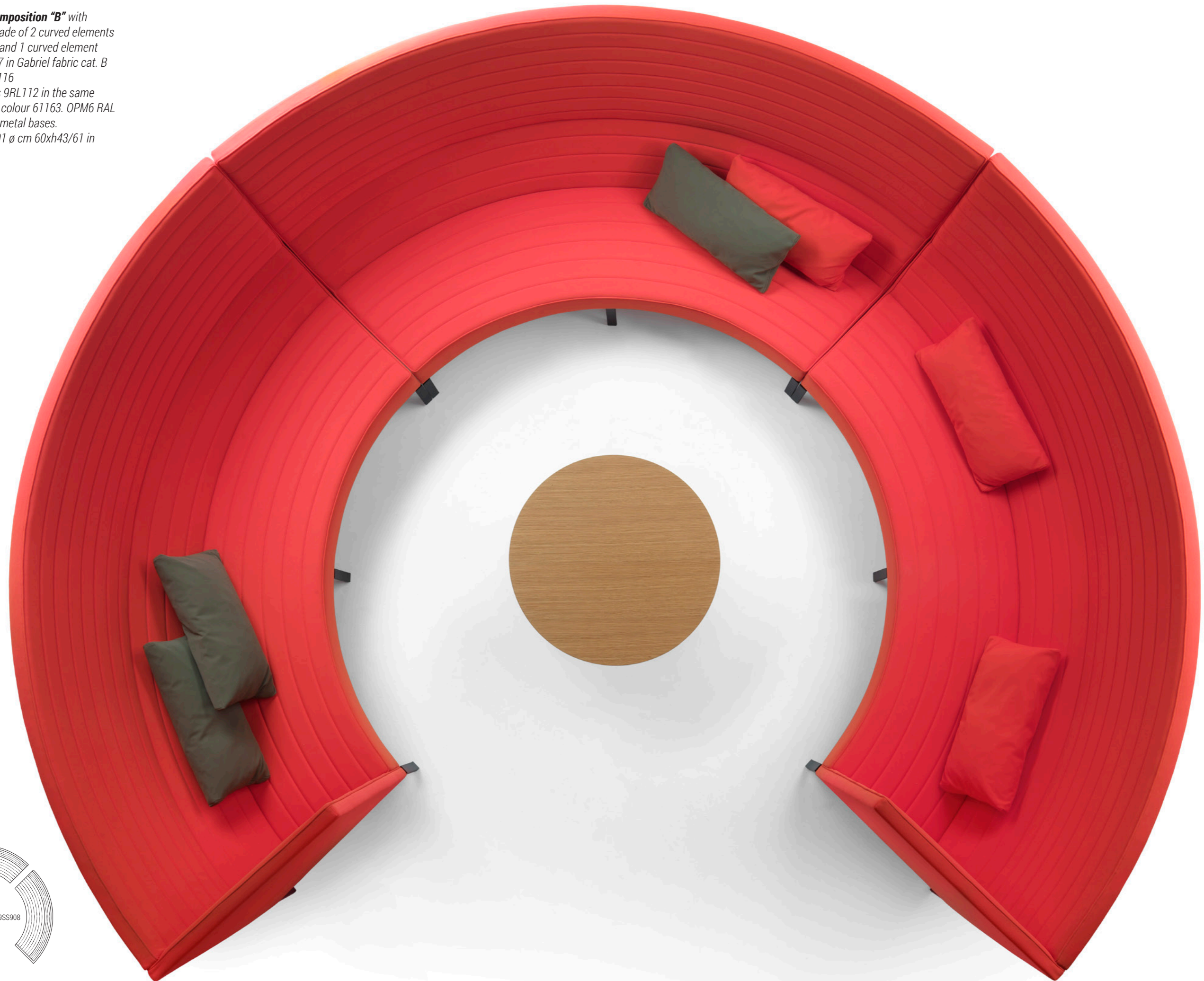


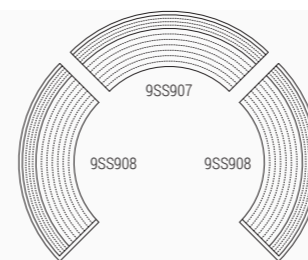
STRIPES Y-shaped composition "A"

made of 2 elements with left armrest and 2 elements with right armrest 9SS614 cm 225/185x73x101h with an angle of 60° in Gabriel fabric cat. B art. Atlantic col. 64116, 2 low shelves 9SS809 in HPL in colour 1661 and small cushions 9RL112 cm 63x33 in fabric cat. B art. Atlantic col. 62048, with OPM6 RAL 9017 black painted metal bases. Belux lamps 9SS805, Schulte Evoline socket 9SS802, mobile shelf 9SS806 and mobile socket 9SS801. **PIVOT** swivel armchair 9PIV101 cm 55.5x54x80h with natural oak structure and seat and back in fabric cat. B art. Atlantic in the colours 64116 red and 62048 green; **PIVOT** tables 7PIV101 ø cm 60x43/61h in natural oak.



STRIPES curved **composition "B"** with diameter cm 370 made of 2 curved elements with 1 arm 9SS908 and 1 curved element without arm 9SS907 in Gabriel fabric cat. B art. Atlantic col. 64116 with small cushions 9RL112 in the same fabric colour and in colour 61163. OPM6 RAL 9017 black painted metal bases.
PIVOT table 7PIV101 ø cm 60xh43/61 in natural oak.



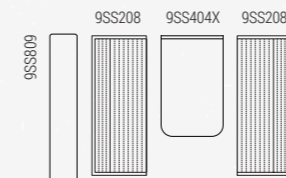
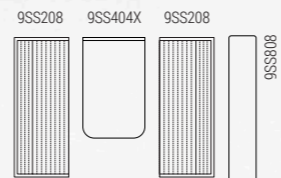


STRIPES curved **composition "B"** with diameter cm 370 made of 2 curved elements with 1 arm 9SS908 and 1 curved element without arm 9SS907 in Gabriel fabric cat. B art. Atlantic col. 64116 with small cushions 9RL112 in the same fabric colour and in colour 61163. OPM6 RAL 9017 black painted metal bases.
PIVOT table 7PIV101 ø cm 60xh43/61 in natural oak.





STRIPES composition "C" made of 2 sofas 9SS208 cm 185x73x133h in Gabriel fabric cat. B art. Atlantic col. 61163 with cushions 9RL112 cm 63x33 in fabric cat. B art. Atlantic col. 66086 with high shelf 9SS808 and table 9SS404X cm 82x133x133h in HPL in colour 1661. OPM6 black painted metal bases. Bachmann Power Frame electric module 9SS803, mobile lamp 9SS804, Belux lamp 9SS805 and Schulte Evoline socket 9SS802.



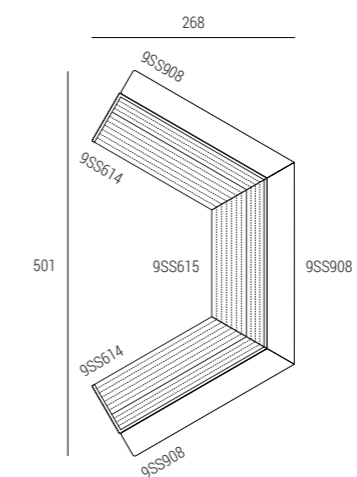
STRIPES composition "C" made of 2 sofas 9SS208 cm 185x73x133h in Gabriel fabric cat. B art. Atlantic col. 61078 with cushions 9RL112 cm 63x33 in fabric cat. B art. Atlantic col. 66086 with low shelf 9SS809 and table 9SS404X cm 82x133x133h in HPL in colour 1661. OPM6 black painted metal bases. Bachmann Power Frame electric module 9SS803, mobile lamp 9SS804, Belux lamp 9SS805 and Schulte Evoline socket 9SS802.

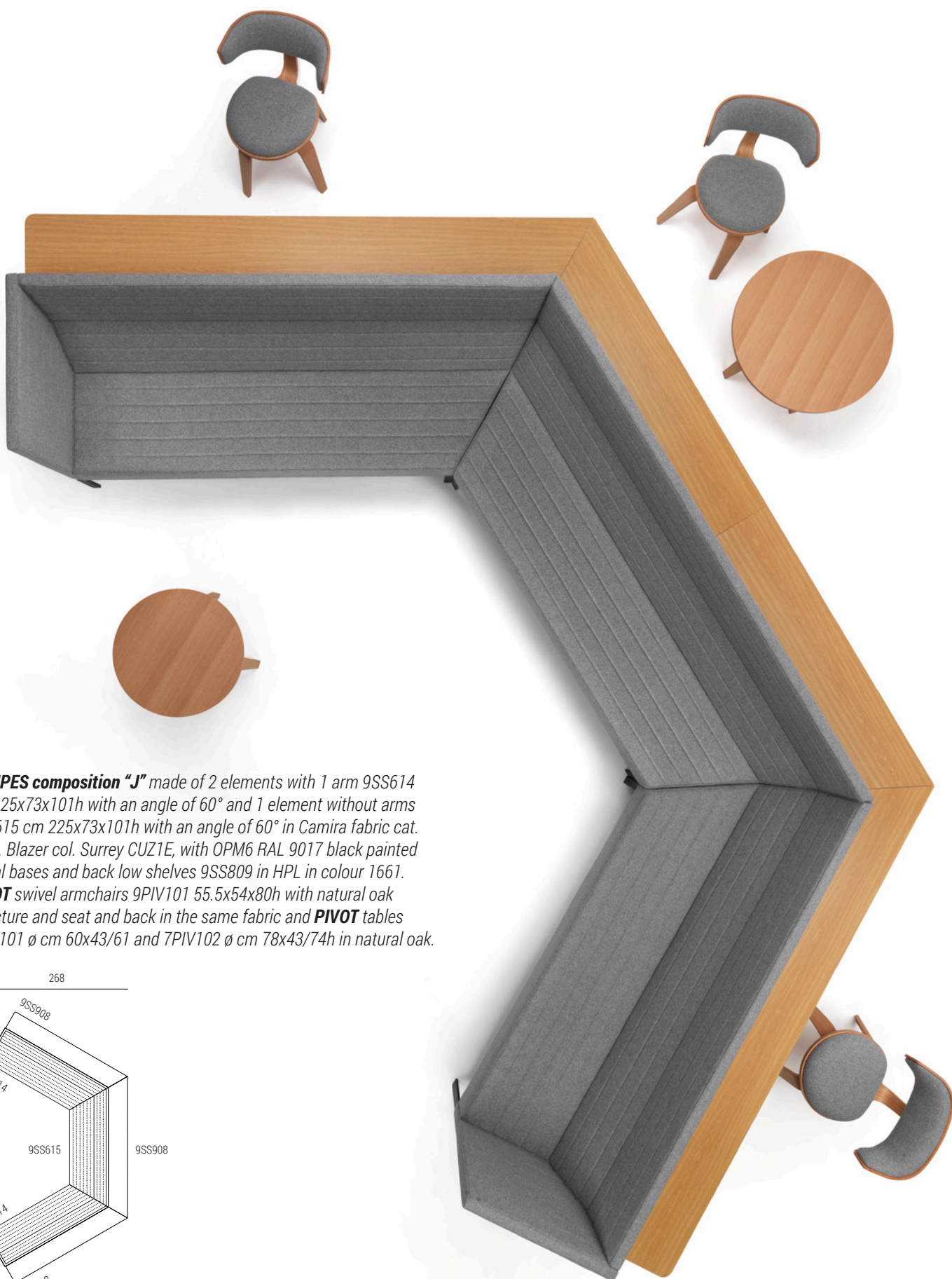
PIVOT swivel armchair 9PIV101 cm 55.5x54x80h with natural oak structure and seat and back in fabric cat. B art. Atlantic col. 66086.



STRIPES composition "J" made of 2 elements with 1 arm 9SS614 cm 225x73x101h with an angle of 60° and 1 element without arms 9SS615 cm 225x73x101h with an angle of 60° in Camira fabric cat. E art. Blazer col. Surrey CUZ1E, with OPM6 RAL 9017 black painted metal bases and back low shelves 9SS809 in HPL in colour 1661.

PIVOT swivel armchairs 9PIV101 55.5x54x80h with natural oak structure and seat and back in the same fabric and **PIVOT** tables 7PIV101 ø cm 60x43/61 and 7PIV102 ø cm 78x43/74h in natural oak.





STRIPES composition "J" made of 2 elements with 1 arm 9SS614 cm 225x73x101h with an angle of 60° and 1 element without arms 9SS615 cm 225x73x101h with an angle of 60° in Camira fabric cat. E art. Blazer col. Surrey CUZIE, with OPM6 RAL 9017 black painted metal bases and back low shelves 9SS809 in HPL in colour 1661. **PIVOT** swivel armchairs 9PIV101 55.5x54x80h with natural oak structure and seat and back in the same fabric and **PIVOT** tables 7PIV101 ø cm 60x43/61 and 7PIV102 ø cm 78x43/74h in natural oak.

