

Ina - Black



IP20 

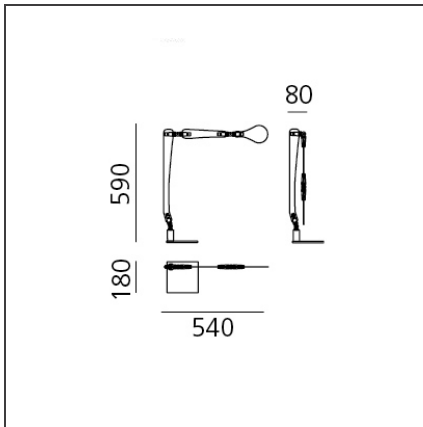
DESSINÉ PAR

Carlotta de Bevilacqua

DESCRIPTION

Ina is a desk light that can hold infinite positions. This is the reason why it satisfies the continuously changing functional and emotional needs of illumination in both home and work places. It is designed to light a work surface correctly. It can also create infinite settings and luminous atmospheres because the user can interpret the light in different ways. The lamp can hold different positions and orientations giving therefore great freedom of choice in monitoring the light. The intensity and wideness of the lit area are determined by the movement of the arm on three articulated joints that basically allows a 360° movement in all directions. This is possible also due to the extreme lightness of the structure and its circuits that feed the 84 LEDs. This translates into an absolutely flat (3mm thick) iconic shape. Its aesthetic is due to technical, constructive, electrical and structural reasons. Thus, the object is very simple but highly technological.

DESSINS TECHNIQUES



CARACTÉRISTIQUES

Code Article :	DD0007A09	Matériaux:	printed circuit on aluminum
Couleur:	Black	Séries:	Scenarios
Installation:	Table		
Environnement:	Indoor		

DIMENSIONS

Longueur :	cm 54
Largeur:	cm 18
Hauteur:	cm 59
Profondeur:	cm 8

SOURCE INCLUSE

Catégorie:	LED	Température de Couleur (K):	3000K
Nombre:	1		
Watt:	7,5W		
Typologie:	0		
Class:	A		

LUMINAIRE

Watt:	11W	Flux Lumineux (lm):	303lm
		CCT:	3000K
		Efficiency:	100%
		Efficacy:	27.58lm/W
		CRI:	80